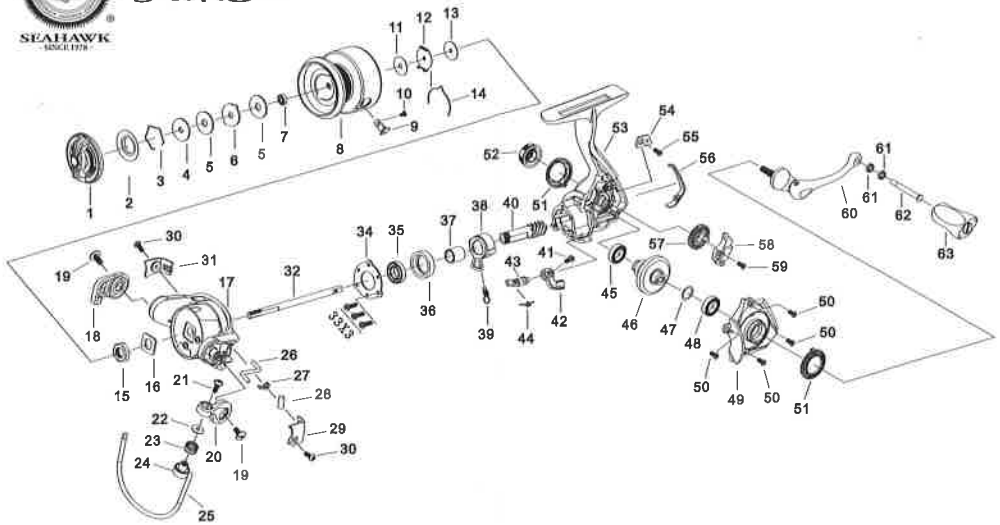




FlexiS^{LITE}



- 1, Ornament Knob
- 2, Rubber Ring
- 3, Spool Stop Ring
- 4, Key Washer
- 5, Drag Washer
- 6, Eared Washer
- 7, Ball Bearing
- 8, Spool
- 9, Line Hook
- 10, Screw
- 11, Washer
- 12, Click Fixed Seat
- 13, Washer
- 14, Click
- 15, Rotor Nut
- 16, Rotor Retainer
- 17, Rotor
- 18, Bail Holder
- 19, Screw
- 20, Bail Arm
- 21, Screw

- 22, Roller Washer
- 23, Roller Bearing
- 24, Bail Nut
- 25, Bail ASSY
- 26, Bail Button Pole
- 27, Bail Arm Lever
- 28, Bail Arm Spring
- 29, Bail Arm Side Cover
- 30, Screw
- 31, Bail Arm Side Cover
- 32, Main Shaft
- 33, Screw
- 34, Retainer
- 35, Ball Bearing
- 36, Bearing Bushing
- 37, Bearing Inner Ring
- 38, One Way Clutch Bearing
- 39, Bearing Spring
- 40, Pinion Gear
- 41, Screw
- 42, Anti-reverse Lever

- 43, Anti-reverse Bolt
- 44, Spring
- 45, Ball Bearing
- 46, Drive Gear
- 47, Drive Gear Washer
- 48, Ball Bearing
- 49, Body Cover
- 50, Screw
- 51, Ornament Body
- 52, Handle Cap
- 53, Body
- 54, Slider Retainer Plate
- 55, Screw
- 56, Ornament Body
- 57, Gear
- 58, Slider
- 59, Screw
- 60, Handle
- 61, Ball Bearing
- 62, Handle Tube
- 63, CNC Knob